

transcutaneous oxygen monitors

TCOMPEN

Utility Penetrators

Specifically formatted for use with Radiometer TCOMS for general purpose, low-voltage, low-power applications

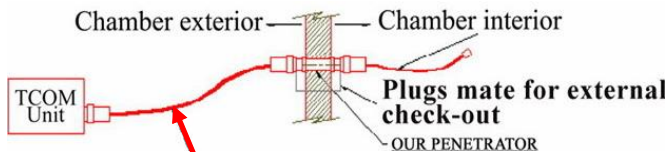


100 PSI MAX rating
Higher ratings available

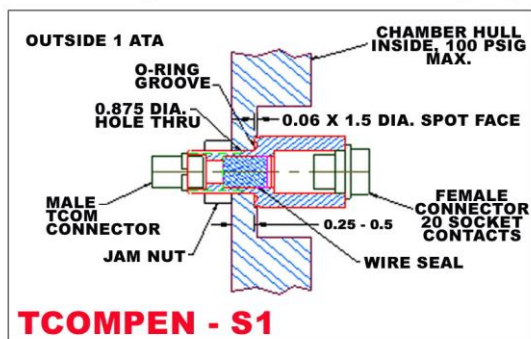
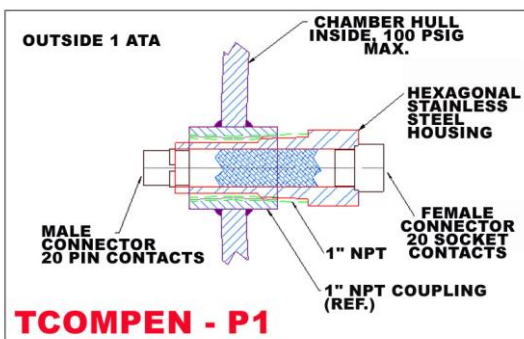
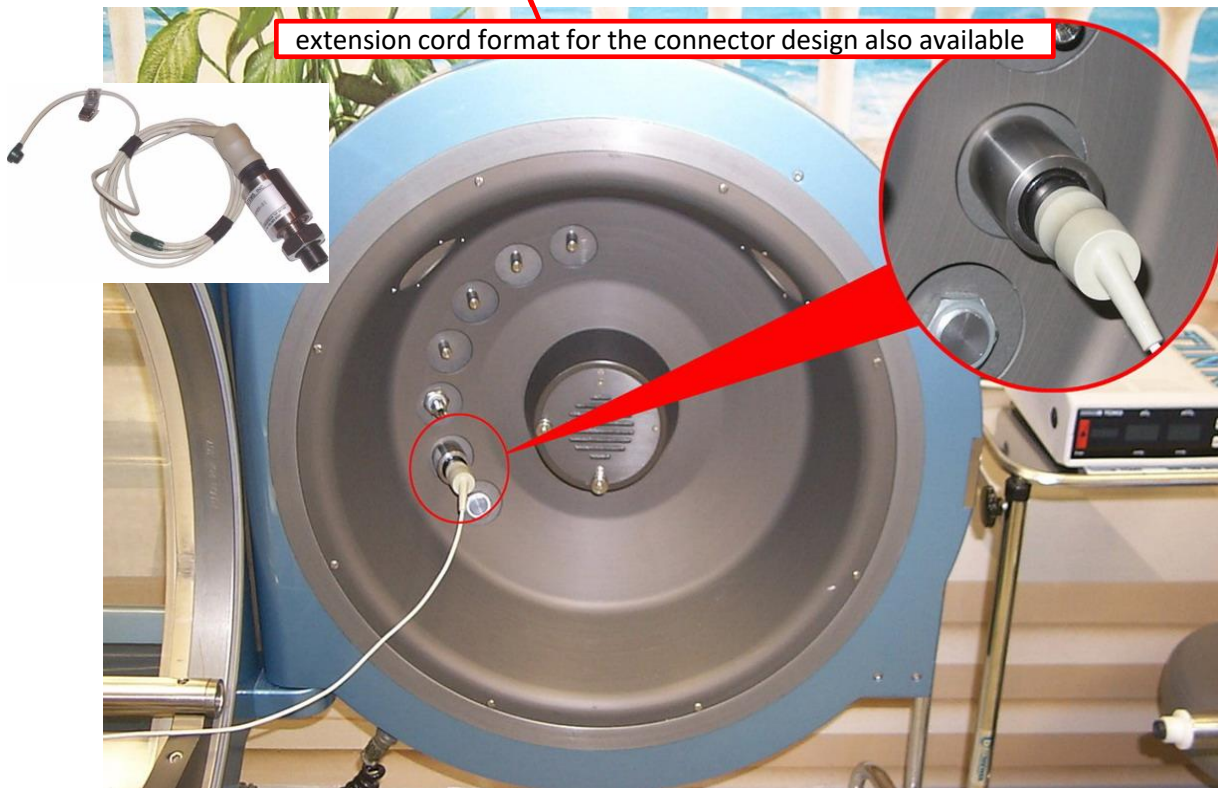
transcutaneous oxygen monitors

TCOMPEN

- Accepts standard Radiometer (& Perimed) plugs directly
 - No special cables required
- Plug kits available for general purpose use
 - Lowers overall cabling costs
 - Allows ease of troubleshooting



extension cord format for the connector design also available



assembled meeting plugs

- TCOMPEN-S1** Standard unit – fits doors on all Sechrist, Perry Sigma and Nautilus HBO1 chambers
- TCOMPEN-P1** Pipe thread unit – fits most 1" FNTP ports on multiplace, altitude and research chambers
- TCOMPEN-SAE12** SAE12 (1 1/16" thread)
- TCOMPEN-S1-H** For Divex/HYOX chambers

unassembled meeting plugs

- TCOMPLUG-M-00** Male plug, unassembled
- TCOMPLUG-F-00** Female plug, unassembled
- TCOMPLUG-S-00** Set of male and female plugs, unassembled
- TCOMPLUG-M-18** Male plug with 18" flying leads
- TCOMPLUG-F-18** Female plug with 18" flying leads
- TCOMPLUG-S-18** Set of male and female plugs with 18" flying leads



300 N. Lee Street - Suite 201 - Alexandria, VA 22314, USA
Telephone (703) 684-2060 - Fax (703) 684-5343
www.pccihyperbarics.com or info@pccihyperbarics.com